



ALUCOPANEL® A2

for Safe Buildings

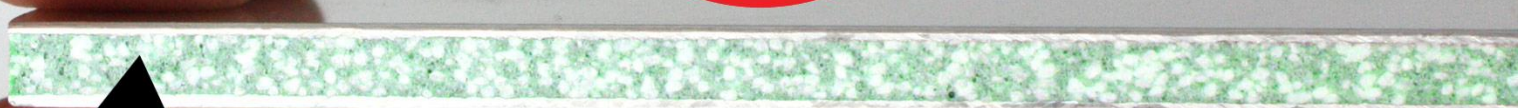
Presented by

Engr. Intisar Adrah

Technical Business Development Manager



Say no to Fire Spread



ALUCOPANEL[®]

non-combustible

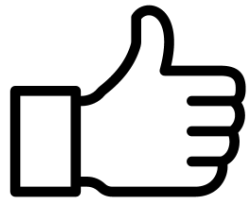
A2 Core



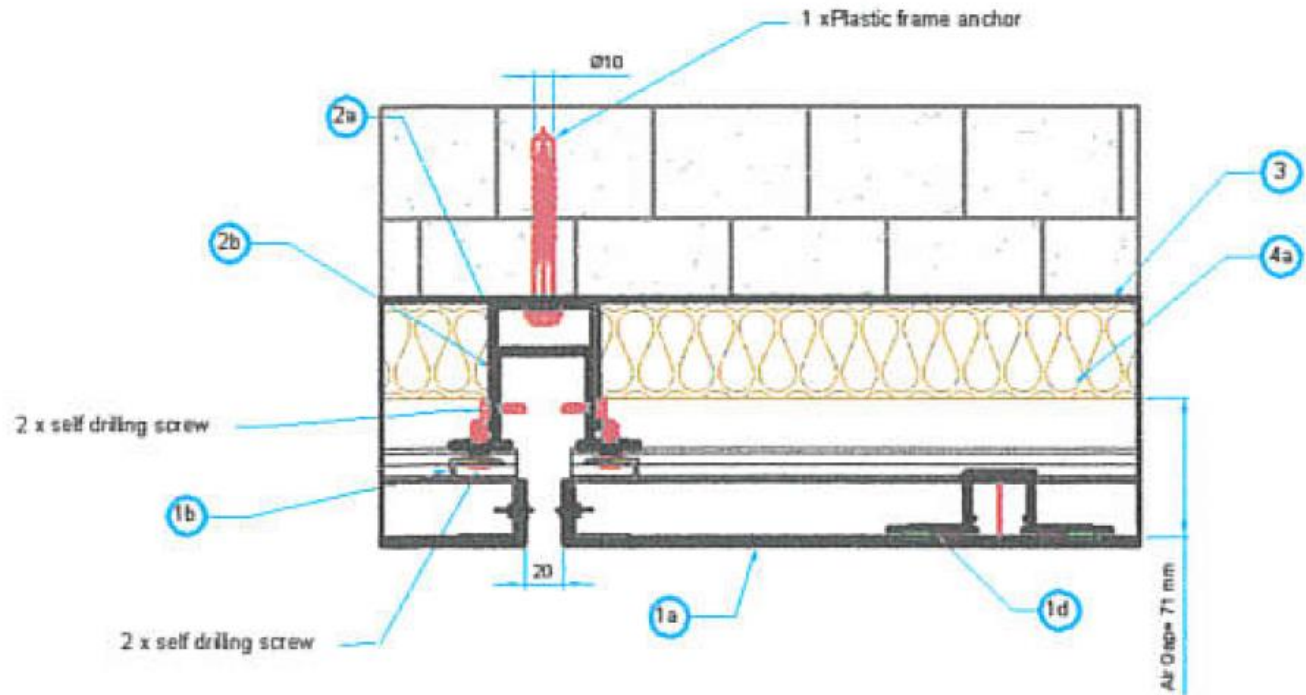
- **ALUCOPANEL® A2** is Made in UAE, Factory in Dubai
- **ALUCOPANEL® A2** has Technical Approval from DCL
- **ALUCOPANEL® A2** Assemblies are approved from
 - **Dubai Civil Defence**
 - **Sharjah Civil Defence**
 - **Abu Dhabi Civil Defence**
 - **Ajman Civil Defence**
 - **Oman Civil Defence**

Open-Joint Façade System

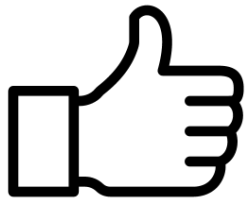
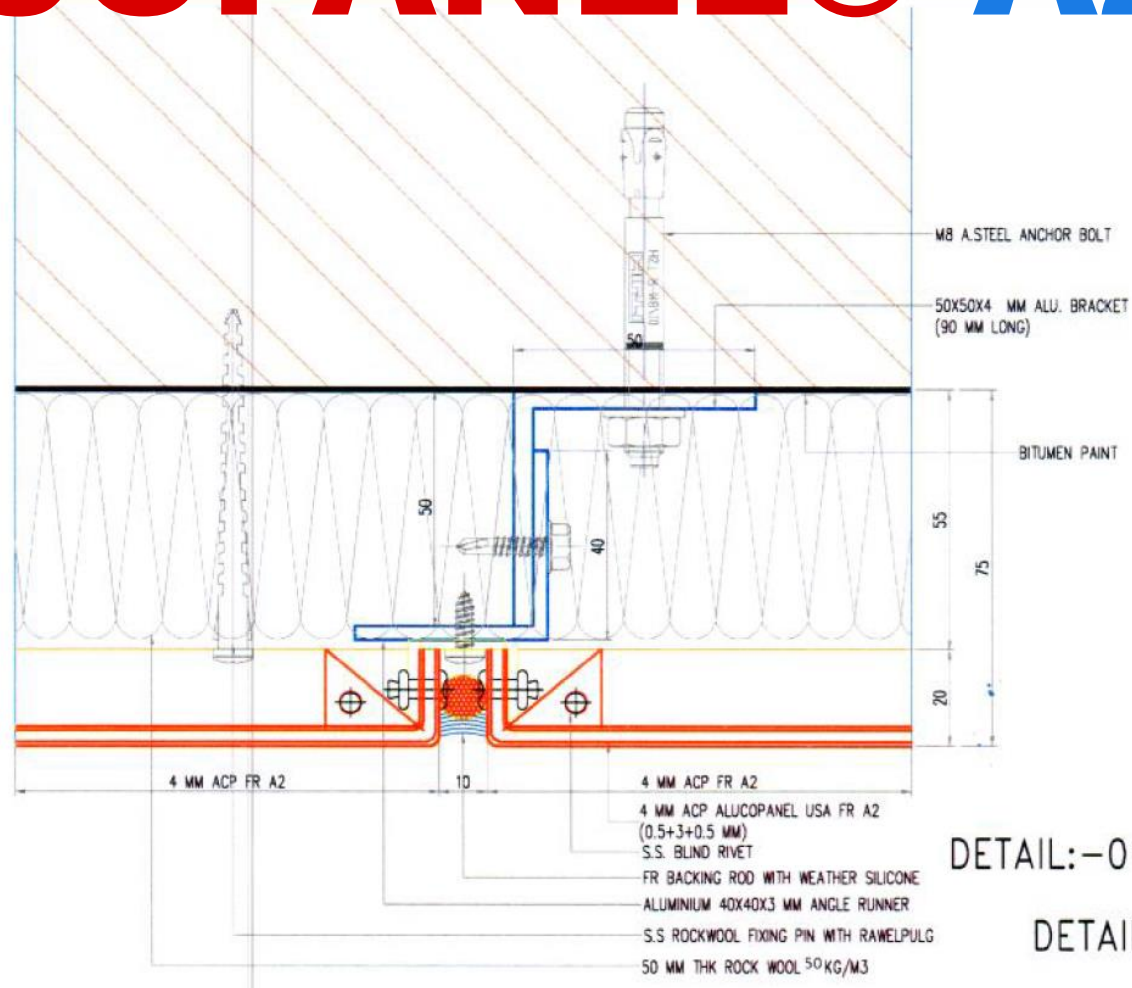
ALUCOPANEL® A2



Listed in
Civil Defence



Closed-Joint Façade System **ALUCOPANEL® A2**



Listed in
Civil Defence

So far our Journey with
ALUCOPANEL®
VIDEO

Questions?